

# CANTO ARMS™

---

THE  
**NOCTURNE 22**  
PISTOL

---

## **INSTRUCTION MANUAL**

**WARNING: BEFORE USING THIS FIREARM, READ AND FOLLOW THESE INSTRUCTIONS**

Thank you for choosing Canto Arms.  
Please read and follow all instructions in this manual before  
operating the firearm.

## ***FUNDAMENTAL FIREARM SAFETY GUIDELINES***

- Always keep the firearm pointed in a safe direction.
- Always keep your finger off the trigger until ready to shoot.
- Always keep the firearm unloaded until ready to use.
- Know the target and what is beyond it.
- Be sure the firearm is safe to operate.
- Know how to use the firearm safely.
- Only use the correct ammunition for the firearm.
- Wear appropriate eye and ear protection.
- Never use alcohol or drugs before or while shooting.
- Store firearms so that they are not accessible to unauthorized persons.
- Be aware that certain types of firearms and many shooting activities require additional safety precautions.

Failure to follow these rules can result in damage to property, injury, or death. Always follow these instructions and carefully read and refer to this manual before loading your firearm.

**This is NOT a safety manual.**

If you need assistance with the safe handling of this, or any firearm, please contact a certified firearms instructor or school.

# ***CLEARING YOUR FIREARM***

---

To unload/clear your firearm:

1. Keep the firearm pointed in a safe direction.
2. Rotate the firearm's safety selector to "0 (SAFE)."
3. Remove the magazine by pressing the magazine release button and pulling the magazine out of the firearm.
4. Pull and hold the charging handle to the rear.
5. Make sure the chamber is clear of any live or spent cartridge. Once clear, the charging handle can be released.

Your firearm is now clear.

# ***LOADING YOUR FIREARM***

---

To load your firearm:

1. Load your magazine with .22 Long Rifle cartridges. Place the cartridge between the magazine's feed lips and push down and back until seated. Load the desired amount of ammunition.
2. Keep the firearm pointed in a safe direction and place the selector on "0 (SAFE)."
3. Insert the loaded magazine into the magazine well until fully seated and the magazine catch locks the magazine in place. Ensure that it is locked in place by trying to pull the magazine out.
4. To chamber a cartridge, firmly pull the charging handle to the rear and release it. DO NOT ride the handle as the bolt closes. (See Fig. 1)

Your firearm is now loaded.

Loading continued.



Figure 1

## ***OPERATION INSTRUCTIONS***

### **IMPORTANT NOTICE ON AMMUNITION**

This firearm has been tested and fired. Light and subsonic ammunition may not operate as reliably (if at all) as will standard or high-velocity ammunition.

#### **Firing:**

- 1. Assume a firing position. Grasp the pistol grip with one hand, keeping your finger off the trigger.**
- 2. Align your sights with the target.**
- 3. Rotate the selector switch from “0 (SAFE)” to “1 (FIRE).”**
- 4. Squeeze the trigger until the hammer is released and the firearm fires.**
- 5. When the magazine is expended, the bolt will be held open by the magazine follower and an empty chamber can be observed. When removing the magazine to reload, the bolt should close.**

## **Malfunctions:**

**If the firearm fails to fire:**

**Pull the charging handle back and observe a cartridge being extracted and ejected. Release the charging handle to load another round and attempt to fire again.**

**If the firearm does not fully load a round into the chamber:  
(failure to feed)**

- 1. Clear the firearm, remove the magazine and pull the charging handle to the rear.**
- 2. Remove any cartridges remaining in the action.**
- 3. Reload the firearm and attempt to fire again.**

**If the firearm does not remove a round from the chamber: (failure to extract)**

- 1. Clear the firearm, remove the magazine and pull the charging handle to the rear.**
- 2. Manually cycle the action. Pull and release the charging handle a few times to attempt an extraction of the stuck cartridge.**
- 3. If this fails, retain the charging handle to hold the action open and remove the cartridge by hand.**

## ***TIPS, TRICKS & NOTES***

---

- Underload new magazines until they become easier to load. Slight bulging near the rim is normal on fired cartridges.**
- For best results, Canto Arms recommends copper-plated 22LR ammunition.**

- Use clean, dry ammunition. Oily or dirty ammunition will quickly foul the feed ramp, breech, and bolt head causing misfires and/or failures to feed and eject.
- .22LR ammunition produces appreciable amounts of residue in a short period of time. We recommend cleaning your pistol after each use for trouble free operation.

## ***DISASSEMBLY***

---

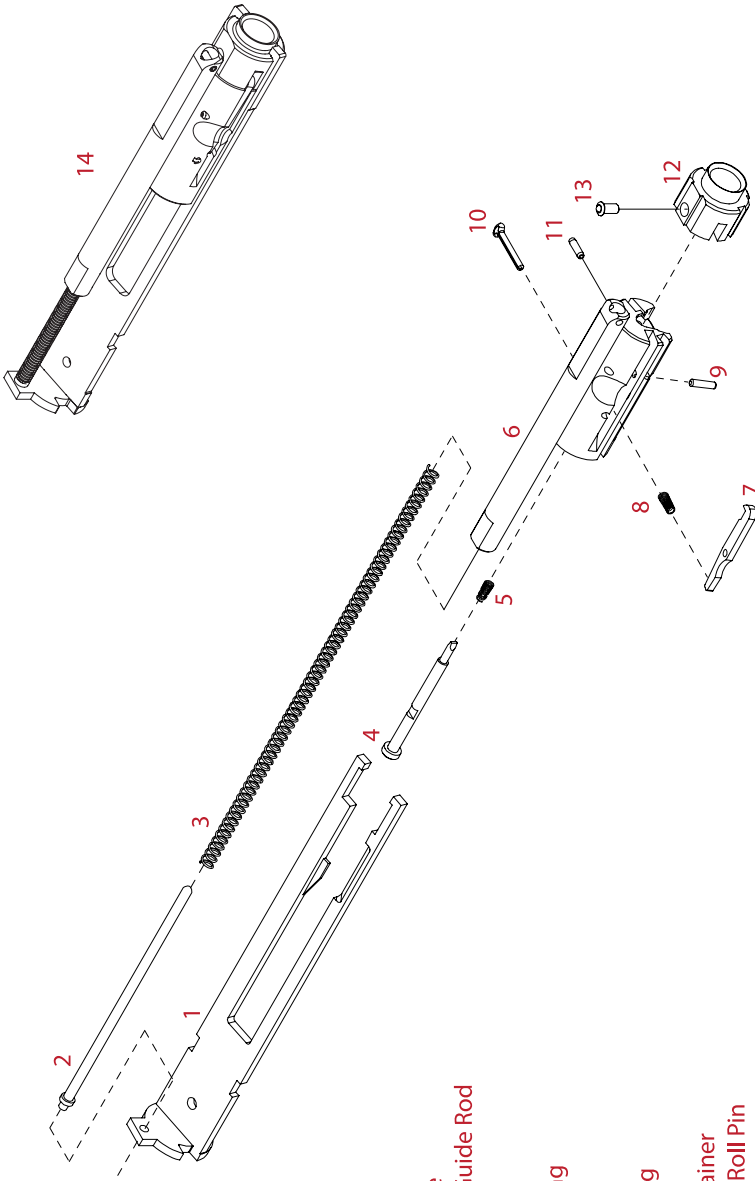
Begin with a firearm that has been unloaded and cleared. **NEVER** disassemble your firearm while the firearm is loaded.

1. Remove the upper group. Begin by pushing out the takedown and pivot pins. (It may be easier to hold the receivers together while you push the pins out.)
2. Remove the bolt group. Once separated, the bolt group can be removed by pulling the charging handle out. At this stage the firearm is field-stripped for cleaning. Figure 2 shows the complete breakdown of a Nocturne 22 bolt group.

To reassemble your firearm:

1. Insert the charging handle and bolt group into the upper receiver.
2. Ensure the bolt group is fully inserted and the back of the frame is flush with the back of the upper receiver.
3. Align the takedown and pivot pins when putting the receivers together, then push the pins in to secure the firearm together.

Figure 2



1. Receiver Frame
2. Recoil Spring Guide Rod
3. Recoil Spring
4. Firing Pin
5. Firing Pin Spring
6. Bolt
7. Extractor
8. Extractor Spring
9. Extractor Pin
10. Firing Pin Retainer
11. Recoil Spring Roll Pin
12. Barrel Collar
13. Ball Detent
14. Bolt Group (Assembled)

# **CARE AND CLEANING**

---

Proper maintenance will ensure the firearm performs optimally for the entirety of its lifetime.

- Use a cleaning fluid designed to clean carbon and lead fouling. The fluid should also protect metals from corrosion and have lubricating properties.
- Use of a bore brush and patches in conjunction with a cleaning fluid are recommended for the chamber and bore.
- A nylon cleaning brush and cleaning fluid is satisfactory for breaking up any fouling buildup.
- Wipe all surfaces and components clean and apply lubricant on any surface that endures metal to metal contact.
- While cleaning, inspect for broken or damaged components.



# ***CANTO ARMS LIFETIME QUALITY GUARANTEE***

Canto Arms will guarantee its products against defects in material or workmanship. Canto Arms will repair, replace, or substitute part(s) (at Canto Arms' discretion) at no charge to the customer if a defect in material or workmanship is found. All service work must be carried out by Canto Arms. Please provide a copy of the Invoice or Proof of Purchase when requesting service or repair work.





---

**techsupport@cantoarms.com**

**sales@cantoarms.com**

 **WARNING!**

This product can expose you to chemicals including Cadmium, Lead, Cyanide Salts, or Nickel which are known to the State of California to cause cancer and birth defects or other reproductive harm. For more information go to [www.P65Warnings.ca.gov](http://www.P65Warnings.ca.gov).

***CANTOARMS.COM***